



Your Valve Automation
& Service Partner



High Quality Bellow Sealed Globe Valves

German manufactured multilayer bellows

360 free rotating and conical plug

Metal backseat as mechanical stop for
open position and guaranteeing a zero
leakage in case of broken bellows.



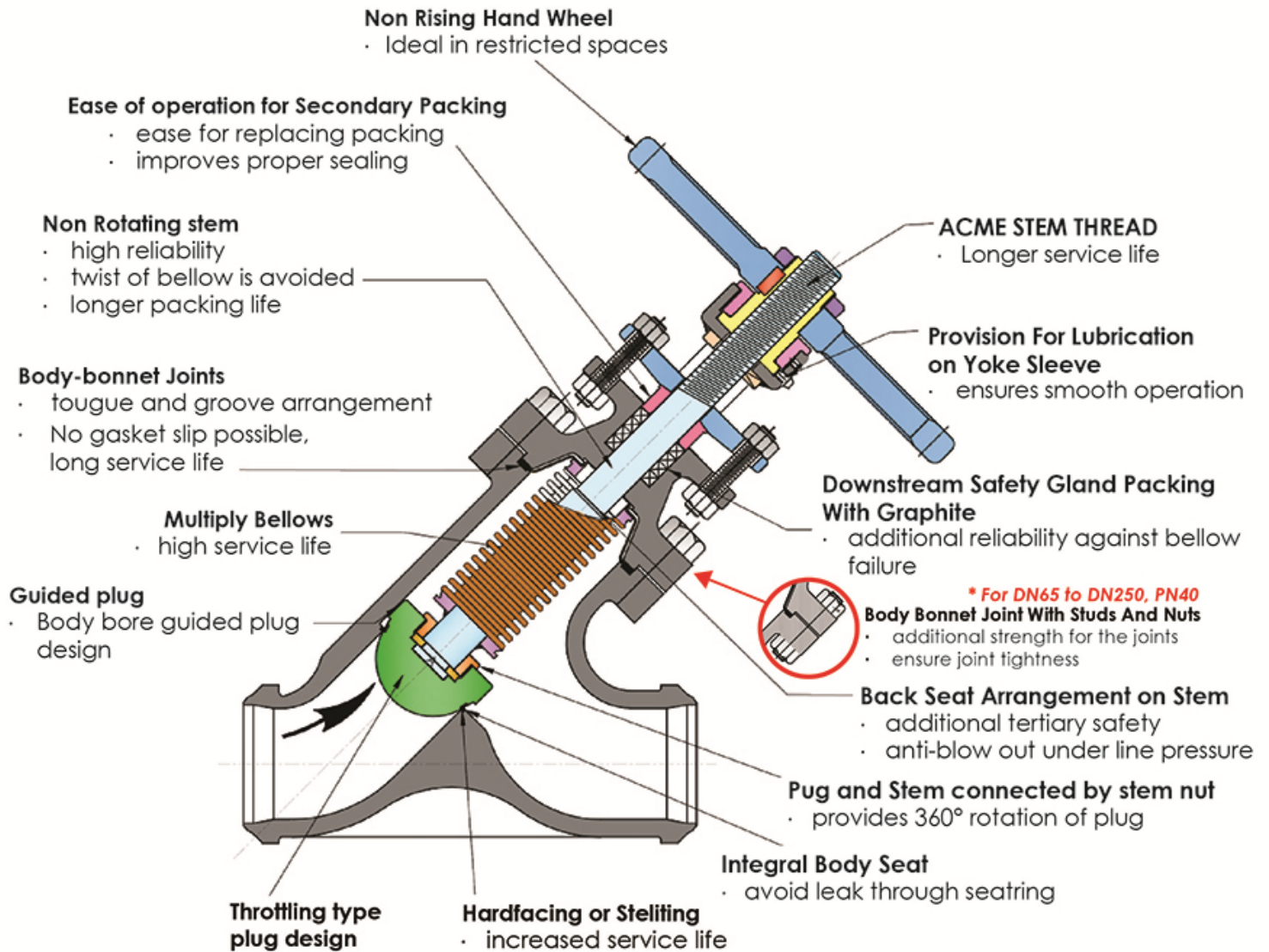
MS ISO/IEC 17025
TESTING
SAMM NO.881



Valve Works

VALVE PRODUCT FEATURES

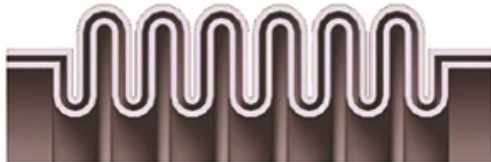
Y TYPE CUP DESIGN BELLOW SEAL GLOBE VALVE (DN15 TO DN250)



Bellows as a Leakage Barrier

Our Stainless Steel 316Ti German manufactured bellows is welded to the stem, becoming a definitive metallic barrier between the process medium and the atmosphere, and hence guarantying zero leakage performance. Still, for higher security, safety TA-LUFT approved packing is applied in design. Further more, our multiple layer bellows are designed to last at least 30,000 cycles according to MSS SP-117 manufacturing standard.

Multi Layer Bellows



- >> Double, triple and quadruple layer bellows depending on the size of the valve.
- >> Bellows designed to support 30,000 operation cycles.
- >> Bellows are welded to the stem and not to the disc, preventing the transmission of vibrations to the bellows, and therefore extending the life of the bellows.

Kvs Value Standard Plug

DN	15	20	25	32	40	50	65	80	100	125	150	200	250	300
KVS	4.8	7.3	11.7	17.8	27.3	43	75.1	111	176	264	369	701	1056	1691

Throttling Plug Kvs Value

DN	15	20	25	32	40	50	65	80	100	125	150	200	250	300
KVS	4.36	6.76	9.21	16.3	25.1	36.8	61.7	91.6	137	184	287	471	898	1410

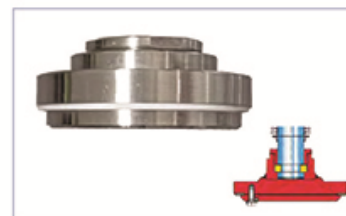
Optional plug types



Conical plug (Standard)



Throttling plug



Plug with soft sealing



Throttling plug with soft sealing

Permissible differential pressure acc. EN13709

PN	DN													
	15	20	25	32	40	50	65	80	100	125	150	200	250	300
PN 16							16					14	9	6
PN 25							25				21	14	9	6
PN 40							40			33	21	14	9	6

GLBSCI16FE | PN16 EN 1092-2

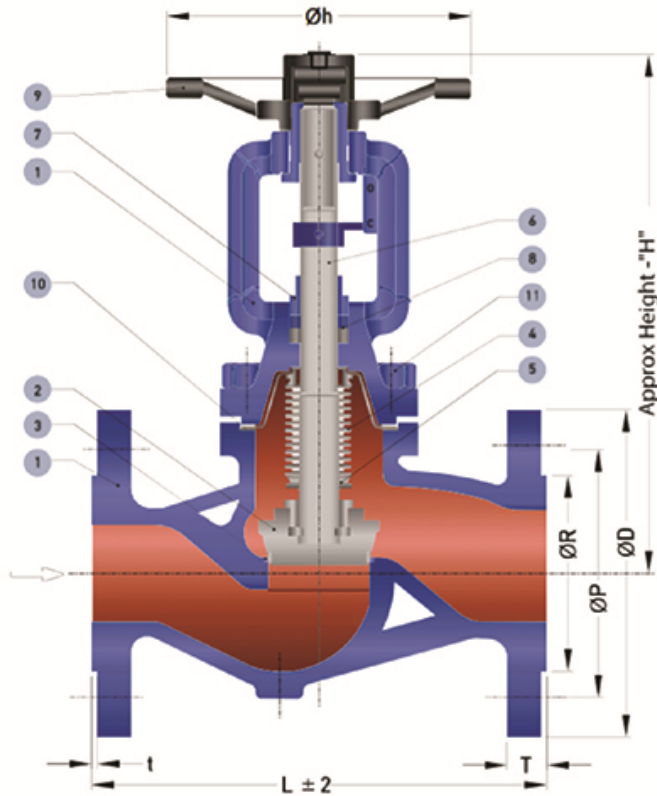
CastIron EN-JL1040

Temperature min. -10°C

Temperature max. +300°C

Testing pressure in bar

Hydro	Body	24
	Seat	18
Air	Seat	07



N°	COMPONENT	MATERIALS
1	Body & Bonnet	EN-JL 1040 Cast Iron
2	Plug	St. Steel 1.4021 + Hard Faced 13% Cr
3	Seat	ASTM - A105 + Hard Faced 13% Cr
4	Bellow	St. Steel 1.4541 / AISI-321
5	Bellow Collar	St. Steel 1.4541
6	Stem	St. Steel 1.4006
7	Gland	St. Steel 1.4021
8	Packing	Pure Graphite
9	Hand Wheel	EN-GJS-400-18-LT Nodular
10	Bonnet Gasket	Graphite + Stainless Steel
11	Bolt & Nuts	Carbon Steel Gr.10.9

DN	PN	ØD (outer flange diameter)	ØP (Bolt circle)	ØR	T (FGL,THK)	t	NO. OF HOLE /Ø	L (Face to face)	Øh	STROKE	H (closed)	Weight (kg)
15	16	95	65	46	16	2	4/Ø14	130	172	4	215	4,80
20	16	105	75	56	16	2	4/Ø14	150	172	5	220	5,16
25	16	115	85	65	17	3	4/Ø14	160	172	6.5	230	5,98
32	16	140	100	76	18	3	4/Ø19	180	172	8	235	7,80
40	16	150	110	84	18	3	4/Ø19	200	200	10	255	11,20
50	16	165	125	99	20	3	4/Ø19	230	200	13	265	13,60
65	16	185	145	118	20	3	8/Ø19	290	250	16.5	325	22,90
80	16	200	160	132	22	3	8/Ø19	310	250	20	335	27,40
100	16	220	180	156	24	3	8/Ø19	350	300	25	385	40,30
125	16	250	210	184	26	3	8/Ø19	400	350	32	425	67,20
150	16	285	240	211	26	3	8/Ø23	480	400	38	485	89,20
200	16	340	295	266	30	3	12/Ø23	600	450	51	615	143,50
250	16	405	355	319	32	3	12/Ø28	730	500	63	780	241,00

Face to face acc. to EN558-1. Flanges acc. to EN 1092-2 form B

WORKING CONDITIONS					
Temperature °C	-10/120	150	200	250	300
Pressure Bar	16	14,4	12,8	11,2	9,6

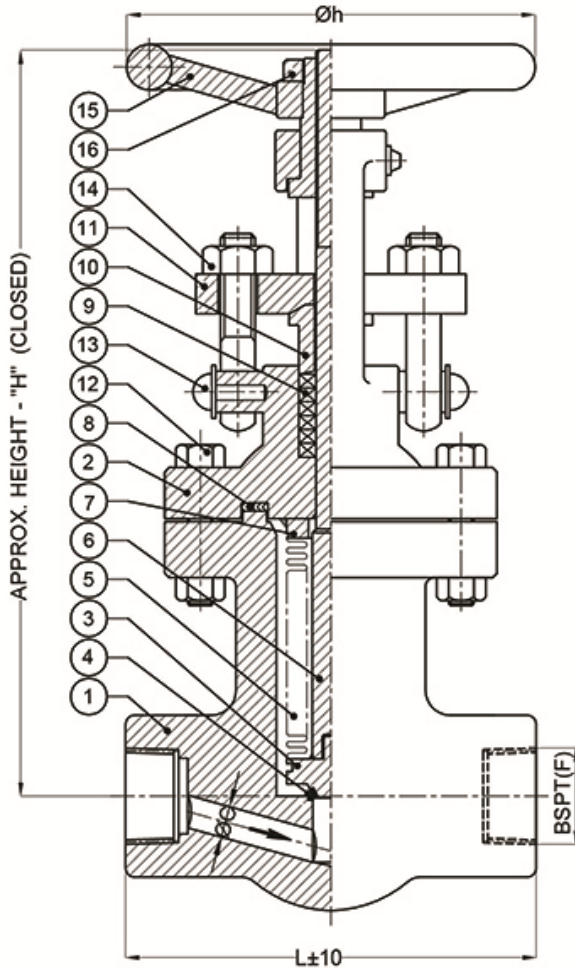
GLBSFS30BS | ANSI 300

Forged Steel ASTM - A 105
 Temperature min. -29°C
 Temperature max. +425°C

Testing pressure in bar

Hydro	Body	77
	Seat	57
Air	Seat	07

TESTING STD. -API 598 (300#)

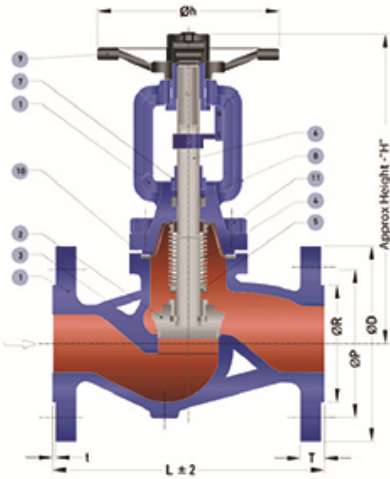


N°	COMPONENT	MATERIALS
1	Body	ASTM - A 105
2	Bonnet	ASTM - A 105
3	Plug	ASTM - A276 TYPE 316 + STELLITED
4	Integral seat	ASTM - A105 + 13% Cr. OVERLAY
5	Bellow	AISI - 316Ti / AISI - 321
6	Stem	ASTM - A 276 Type 410
7	Top collar	ASTM - A 276 Type 316
8	Gasket	SPW - SS304 +Graphite
9	Packing	Graphite
10	Gland bush	ASTM - A 276 Type 410 / A 217 Gr.CA15
11	Gland flange	ASTM - A 105 / Carbon Steel
12	Fastener	ASTM - A 193 Gr.B7 / A 194 Gr.2H
13	Rivet / Washer	Carbon Steel
14	Eye bolt / Nut	ASTM - A 193 Gr.B7 / A 194 Gr.2H
15	Hand wheel	Sg Iron / ASTM - A216 Gr.WCB
16	Hand wheel nut	Carbon Steel

VALVE SIZE X CLASS	L	H	$\varnothing h$	BORE DIMENSION $\varnothing C$ (min)
DN 15 X 300#	86	160	100	9
DN 20 X 300#	92	170	100	12
DN 25 X 300#	106	180	100	17
DN 40 X 300#	130	250	150	25

WORKING CONDITIONS

Temperature °C	-29	-10 / 100	150	200	250	150	200	250
Pressure Bar	51.1	51.1	36.3	33.7	31.8	36,3	33,7	31,8

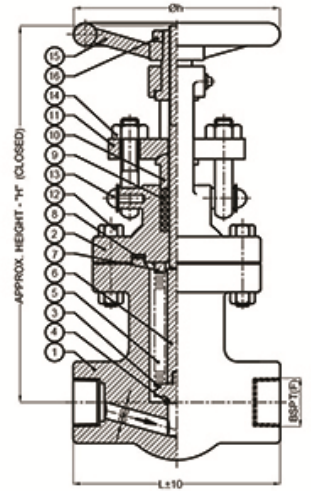


GLBS*CI16FE*

BODY MATERIAL	CONNECTION
Cast Iron	FE PN16
Ductile Iron	FE PN25
Cast Steel	FE PN40
SS 316	FE PN 40

GLBS*FS30BS*

BODY MATERIAL	CONNECTION
Forged Steel	BSPT ANSI 300#



Model No

GL	BS	AA	BB	CC
----	----	----	----	----

Connection

FE : Flanged Ends
 BW : Butt Weld Ends
 SW : Socket Weld Ends
 BS : BSPT
 NP : NPT

Body Rating

16 : PN16
 25 : PN25
 40 : PN40
 15 : ANSI 150
 30 : ANSI 300
 60 : ANSI 600

Body Material

CI : Cast Iron
 DI : Ductile Iron (Nodular Cast Iron)
 CS : Cast Steel
 FS : Forged Steel
 SS : SS316

Design

BS : Bellow Sealed Straight Type
 BY : Bellow Sealed Y-Pattern

Valve Type

GL : Globe Valve

CONTACT US:

ENCORD SDN BHD (Co. No. : 415717-V)

Lot 2, Jalan Kemajuan Satu 16/17A,
 Seksyen 16, 40000 Shah Alam,
 Selangor Darul Ehsan,
 Malaysia.

Tel : +603 5525 0155

Fax : +603 5523 2247

Email : enquiry@encord.com.my

Website : www.encord.com.my