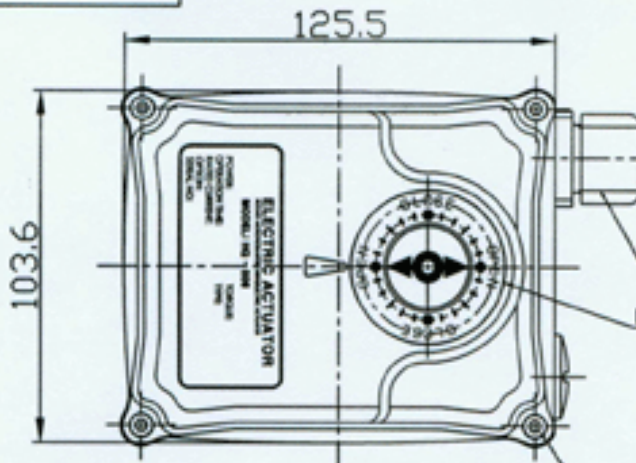


9000H ON 'GMD

NO	MATERIAL	Q'TY	REMARK

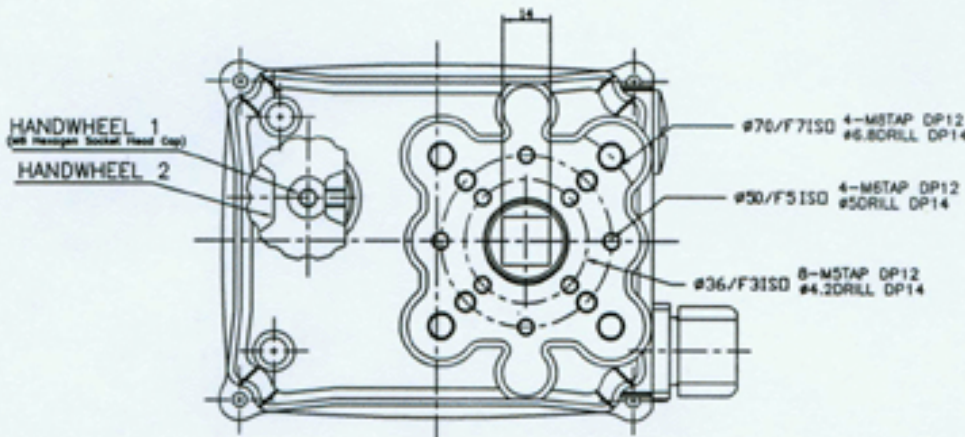
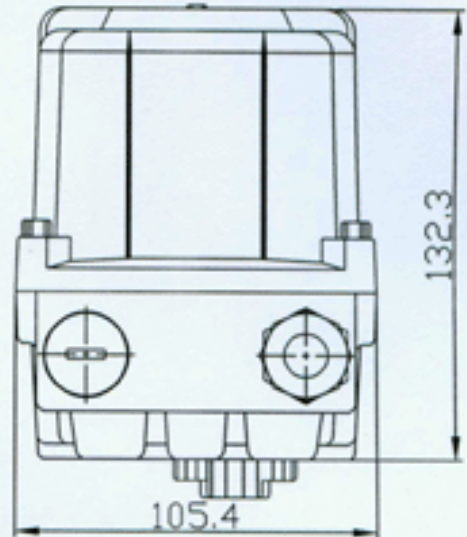
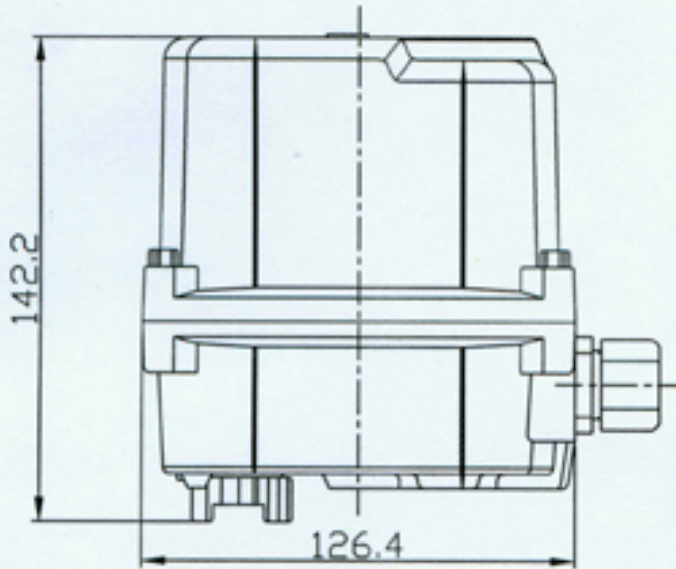


ENCLOSURE: IP65  
 TORQUE: 6Kg.m  
 OPERATION TIME: 13sec  
 POSITION SWITCH: 4 SPOT SWITCH  
 CABLE ENTRY: PG 13.5 x 2  
 MOUNTING FLANGE: F03/F05/F07  
 acc to DIN/ISO5211

CABLE ENTRY: PG 13.5

INDICATOR

M5 BOLT Hexogen Socket Head Cap Screws



HQ006 1
APPLICATION

UNLESS OTHERWISE SPECIFIED					MATERIAL	PROJ.	SIN	ECON NO	CHANGES	DATE	SIGN	APPR.
CLASS.	GR.	1ST	2ND	3RD								
0.3	- 8	0.05	0.1	0.2	ALT. MAT.	DRAW	P.S.KM	SCALE 1/1	ISSU. DEPT. HADR.	PART NAME HQ-006 LAYOUT		
8	- 30	0.1	0.2	0.4	HEAT TREAT.	DESIGN	S.M.HAN	DIM. (mm)	DATE 2003.1.22	DWG. NO HQ006		
36	- 150	0.15	0.3	0.6	SURF. TRET.	CHECK		<div style="text-align: center; font-size: 24px; font-weight: bold;">HKC</div> HK CONTROMATIC CO., LTD.		1 OF 1 SHEET		
120	- 315	0.2	0.4	0.8		APPR.				DWG. SIZE		
315	- 1000	0.3	0.6	1.2								
1000	- 2000	0.5	1.2	3.0								
GENERAL TOL.												
ANG. TOL.		GEN. CH 0.5										