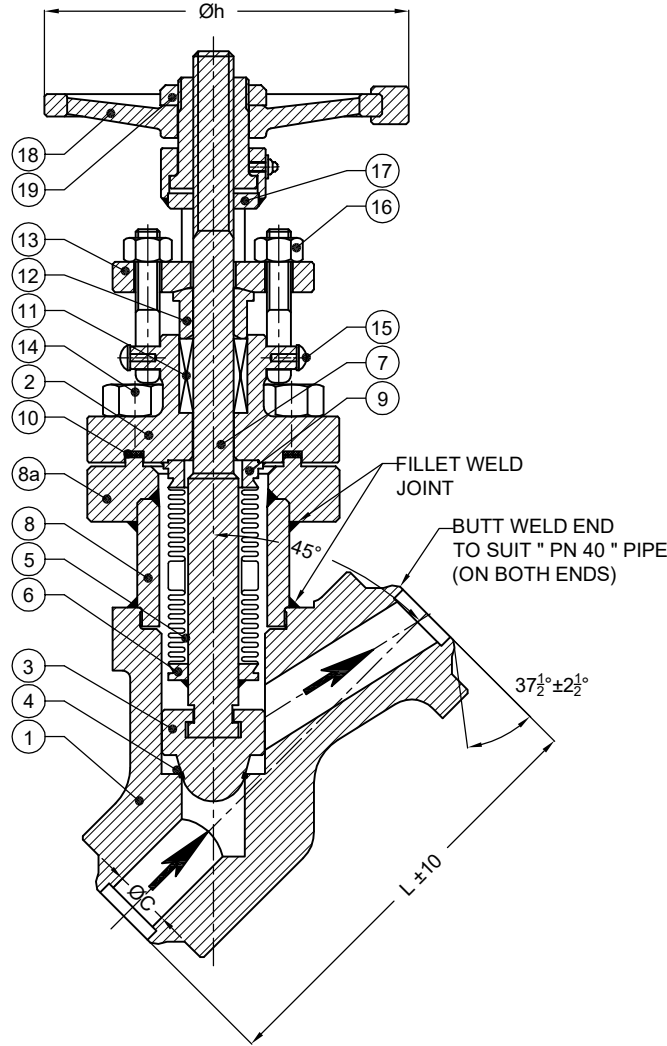


BOS-P4-L4-F08 Rev.01

VALVE SIZE X CLASS	L	Øh	BORE DIMENSION ØC (min)	QTY (Nos)
DN 15 X PN40	150	100	9	25
DN 20 X PN40	150	100	12	25
DN 25 X PN40	150	100	17	25



REV	DATE	DESCRIPTION	DWN BY	CHKD BY	APPD BY
00	28.08.2020	For Approval	Vijay	Ludhakaran	Harish p

DESIGN SPECIFICATION :

REF. STD	BS EN ISO 15761 & MFR'S SPEC	
TESTING STD	EN 12266-1 (PN40)	
HYD. TEST PRESSURE	SHELL	60 bar
	SEAT	44 bar
AIR. TEST PRESSURE	SEAT	07 bar

19	HAND WHEEL NUT	CARBON STEEL
18	HAND WHEEL	SG IRON / ASTM - A 216 Gr.WCB
17	GUIDE PLATE	ASTM - A 216 Gr.WCB / CARBON STEEL
16	EYE BOLT / NUT	ASTM - A 193 Gr.B7 / A 194 Gr.2H
15	RIVET / WASHER	CARBON STEEL
14	HEX BOLT	ASTM - A 193 Gr.B7
13	GLAND FLANGE	ASTM - A 105 / CARBON STEEL
12	GLAND BUSH	ASTM - A 276 TYPE 410 / A 217 Gr.CA15
11	PACKING	GRAPHITE
10	GASKET	SPW - SS 304 + GRAPHITE
9	TOP COLLAR	ASTM - A 276 TYPE 316 / 316L
8a	FLANGE	ASTM - A 105
8	CYLINDER	ASTM - A 106 Gr.B
7	STEM	ASTM - A 276 TYPE 410
6	BELLOW COLLAR	ASTM - A 276 TYPE 316 / 316L
5	BELLOW	AISI - 316Ti / AISI - 321
4	INTEGRAL SEAT	ASTM - A 105 + HARD FACED
3	PARABOLIC PLUG	ASTM - A 276 TYPE 410 / A 217 Gr.CA15 + HARD FACED
2	BONNET	ASTM - A 105
1	BODY	ASTM - A 105

NOTE :-

a) VALVE END TO END TO MFR'S STD
 b) BUTT WELD END TO EN 12627 (PN 40) (ON BOTH ENDS)
 c) VALVE WITH PARABOLIC (REGULATING) PLUG DESIGN

PROJECT :-
 CONSULTANT :-
 CUSTOMER :- M/s, ENCORD SDN BHD
 ORDER No. :- M20080063 DT: 28.08.2020

DRAWING SHOWS ONLY SCHEMATIC REPRESENTATION OF THE VALVE

PRIVATE AND CONFIDENTIAL

TITLE :- GA - FORGED BELLOW SEAL (Y-TYPE) GLOBE VALVE - PN40

THIS DOCUMENT AND ALL THE INFORMATION CONTAINED HERE IN ARE THE CONFIDENTIAL AND EXCLUSIVE PROPERTY OF BELL-O-SEAL VALVES PVT LTD AND MAY NOT BE REPRODUCED, USED, DISCLOSED OR MADE PUBLIC IN ANY MANNER PRIOR TO EXPRESS WRITTEN AUTHORIZATION BY BELL-O-SEAL VALVES PVT LTD. THIS DOCUMENT IS ACCEPTED PURSUANT TO AGREEMENT TO THE FOREGOING, AND MUST BE RETURNED UPON DEMAND.

©1982 COPYRIGHTS RESERVED REPRODUCTION OR DISTRIBUTION OUTSIDE THE GROUP IS FORBIDDEN WITHOUT WRITTEN PERMISSION

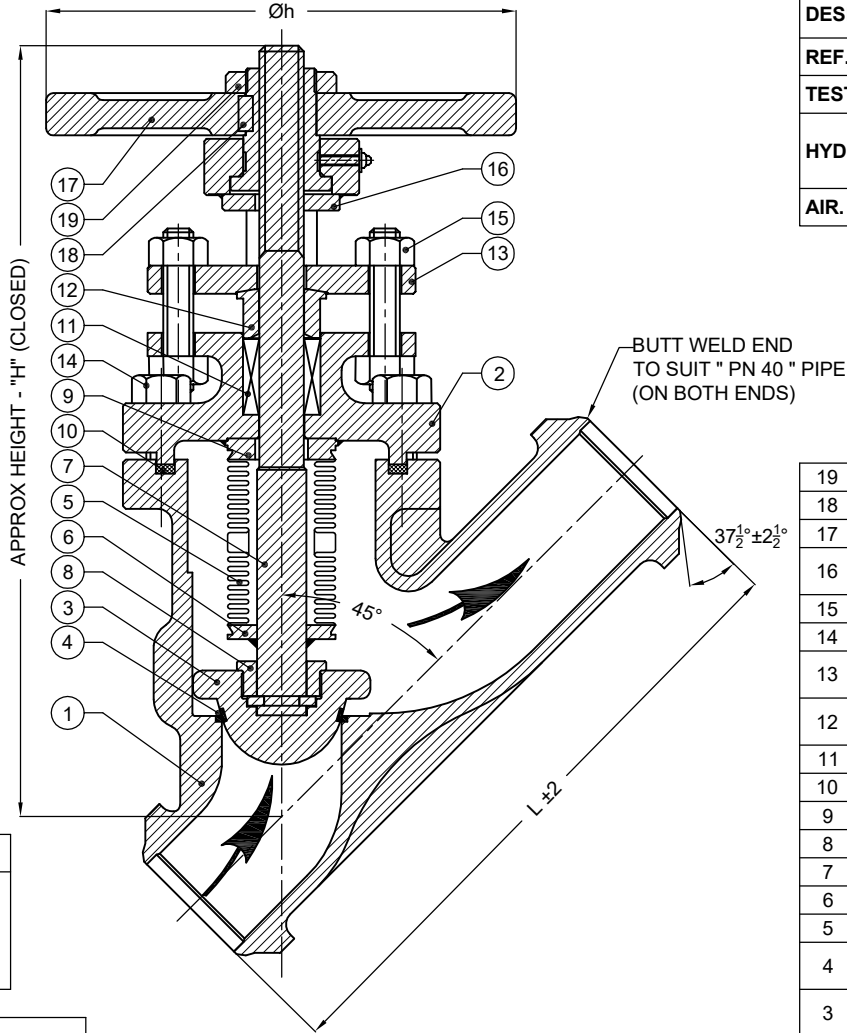
DESIGN SUBJECTED TO CHANGE WITHOUT PRIOR NOTICE

OA No. SAO-E1876		DRG No. :- BOS-S-20007 Rev.00	
NAME	DATE	SCALE : N.T.S	
DWN BY Vijay	28.08.2020	PROJECTION 	
CHKD BY Ludhakaran	28.08.2020		
APPD BY Harish p	28.08.2020		
ALL DIMENSIONS ARE IN MM			



BOS-P4-L4-F08 Rev.01

VALVE SIZE X CLASS	L	H	Øh	QTY (Nos)
DN 40 X PN40	229	305	200	20
DN 50 X PN40	267	335	200	20



REV	DATE	DESCRIPTION	DWN BY	CHKD BY	APPD BY
00	28.08.2020	For Approval	Vijay	Sudhakar	Harish p

DESIGN SPECIFICATION :

REF. STD	ASME B16.34 & MFR'S SPEC	
TESTING STD	EN 12266-1 (PN40)	
HYD. TEST PRESSURE	SHELL	60 bar
	SEAT	44 bar
AIR. TEST PRESSURE	SEAT	07 bar

19	HAND WHEEL NUT	CARBON STEEL
18	HAND WHEEL KEY	CARBON STEEL
17	HAND WHEEL	SG IRON / ASTM - A 216 Gr.WCB
16	GUIDE PLATE	ASTM - A 216 Gr. WCB / CARBON STEEL
15	GLAND STUD / NUT	ASTM - A 193 Gr.B7 / A 194 Gr.2H
14	HEX BOLT	ASTM - A 193 Gr.B7
13	GLAND FLANGE	ASTM - A 216 Gr. WCB / CARBON STEEL
12	GLAND BUSH	ASTM - A 276 TYPE 410 / A 217 Gr.CA15
11	PACKING	GRAPHITE
10	GASKET	SPW - SS 304 + GRAPHITE
9	TOP COLLAR	ASTM - A 276 TYPE 316 / 316L
8	STEM NUT	ASTM - A 276 TYPE 410
7	STEM	ASTM - A 276 TYPE 410
6	BELLOW COLLAR	ASTM - A 276 TYPE 316 / 316L
5	BELLOW	AISI - 316Ti / AISI - 321
4	INTEGRAL SEAT	ASTM - A 216 Gr. WCB + HARD FACED
3	PARABOLIC PLUG	ASTM - A 276 TYPE 410 + HARD FACED
2	BONNET	ASTM - A 216 Gr. WCB
1	BODY	ASTM - A 216 Gr. WCB

NOTE :-

- a) VALVE END TO END TO ASME B 16.10 (300#)
- b) BUTT WELD END TO EN 12627 (PN 40) (ON BOTH ENDS)
- c) VALVE WITH PARABOLIC (REGULATING) PLUG DESIGN

PROJECT :-
 CONSULTANT :-
 CUSTOMER :- M/s, ENCORD SDN BHD
 ORDER No. :- M20080063 DT: 28.08.2020

DRAWING SHOWS ONLY SCHEMATIC REPRESENTATION OF THE VALVE

PRIVATE AND CONFIDENTIAL

THIS DOCUMENT AND ALL THE INFORMATION CONTAINED HEREIN ARE THE CONFIDENTIAL AND EXCLUSIVE PROPERTY OF BELL-O-SEAL VALVES PVT LTD AND MAY NOT BE REPRODUCED, USED, DISCLOSED OR MADE PUBLIC IN ANY MANNER PRIOR TO EXPRESS WRITTEN AUTHORIZATION BY BELL-O-SEAL VALVES PVT LTD. THIS DOCUMENT IS ACCEPTED PURSUANT TO AGREEMENT TO THE FOREGOING, AND MUST BE RETURNED UPON DEMAND.

©1982 COPYRIGHTS RESERVED REPRODUCTION OR DISTRIBUTION OUTSIDE THE GROUP IS FORBIDDEN WITHOUT WRITTEN PERMISSION

DESIGN SUBJECTED TO CHANGE WITHOUT PRIOR NOTICE

OA No. SAO-E1876

TITLE :- GA - CAST BELLOW SEAL (Y-TYPE) GLOBE VALVE - PN40

DRG No. :- BOS-S-20008 Rev.00

NAME	DATE
DWN BY Vijay	28.08.2020
CHKD BY Sudhakar	28.08.2020
APPD BY Harish p	28.08.2020

SCALE : N.T.S

PROJECTION

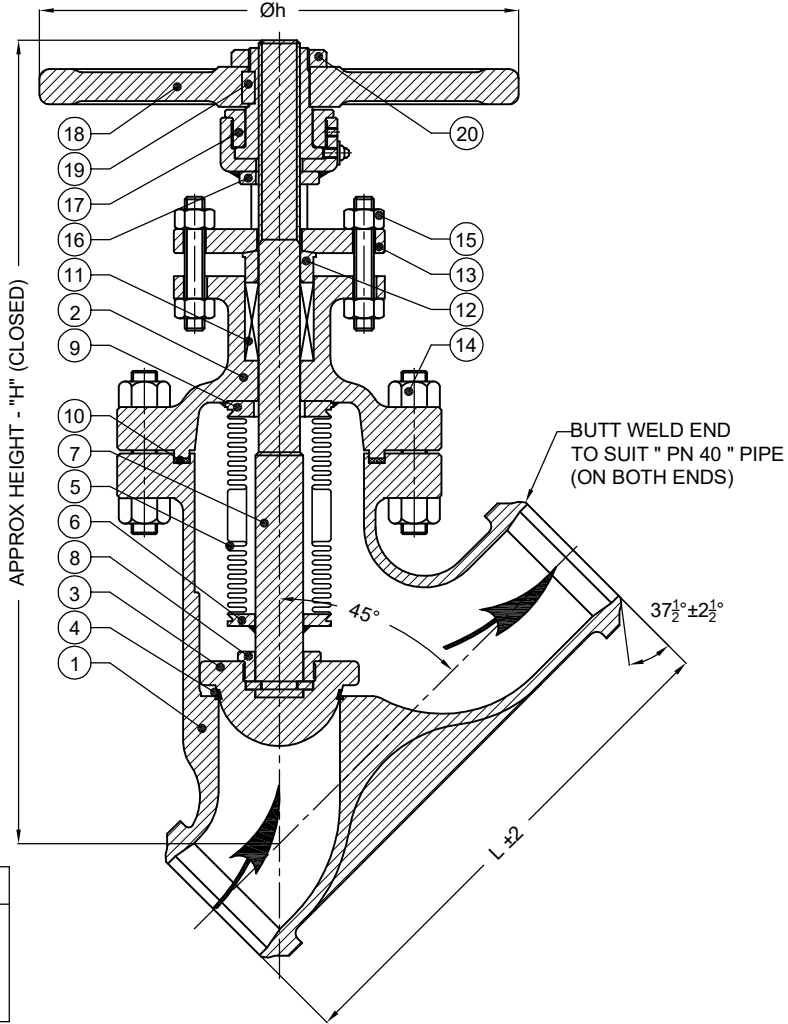
ALL DIMENSIONS ARE IN MM



1 2 3 4 5 6 7 8 9 10 11 12 13 14

BOS-P4-L4-F08 Rev.01

VALVE SIZE X CLASS	L	H	Øh	QTY (Nos)
DN 65 X PN40	292	450	250	10
DN 80 X PN40	318	505	300	10
DN 100 X PN40	356	605	300	09
DN 125 X PN40	400	660	350	03
DN 150 X PN40	444	760	350	03
DN 200 X PN40	559	900	450	02



APPROX HEIGHT - "H" (CLOSED)

REV	DATE	DESCRIPTION	DWN BY	CHKD BY	APPD BY
00	28.08.2020	For Approval	Vijay	Sudhakar	Harish p

DESIGN SPECIFICATION :

REF. STD	ASME B16.34 & MFR'S SPEC	
TESTING STD	EN 12266-1 (PN40)	
HYD. TEST PRESSURE	SHELL	60 bar
	SEAT	44 bar
AIR. TEST PRESSURE	SEAT	07 bar

20	HAND WHEEL NUT	CARBON STEEL
19	HAND WHEEL KEY	CARBON STEEL
18	HAND WHEEL	SG IRON / ASTM - A 216 Gr.WCB
17	YOKE NUT	ASTM - A 276 TYPE 410
16	GUIDE PLATE	ASTM - A 216 Gr. WCB / CARBON STEEL
15	GLAND STUD / NUT	ASTM - A 193 Gr.B7 / A 194 Gr.2H
14	FASTENER	ASTM - A 193 Gr.B7 / A 194 Gr.2H
13	GLAND FLANGE	ASTM - A 216 Gr. WCB / CARBON STEEL
12	GLAND BUSH	ASTM - A 276 TYPE 410 / A 217 Gr.CA15
11	PACKING	GRAPHITE
10	GASKET	SPW - SS 304 + GRAPHITE
9	TOP COLLAR	ASTM - A 276 TYPE 316 / 316L
8	STEM NUT	ASTM - A 276 TYPE 410
7	STEM	ASTM - A 276 TYPE 410
6	BELLOW COLLAR	ASTM - A 276 TYPE 316 / 316L
5	BELLOW	AISI - 316Ti / AISI - 321
4	INTEGRAL SEAT	ASTM - A 216 Gr. WCB + HARD FACED
3	PARABOLIC PLUG	ASTM - A 216 Gr. WCB + HARD FACED
2	BONNET	ASTM - A 216 Gr. WCB
1	BODY	ASTM - A 216 Gr. WCB

NOTE :-

- a) VALVE END TO END TO ASME B 16.10 (300#)
- b) BUTT WELD END TO EN 12627 (PN 40) (ON BOTH ENDS)
- c) VALVE WITH PARABOLIC (REGULATING) PLUG DESIGN

PROJECT :-
 CONSULTANT :-
 CUSTOMER :- M/s, ENCORD SDN BHD
 ORDER No. :- M20080063 DT: 28.08.2020

DRAWING SHOWS ONLY SCHEMATIC REPRESENTATION OF THE VALVE

PRIVATE AND CONFIDENTIAL

THIS DOCUMENT AND ALL THE INFORMATION CONTAINED HERE IN ARE THE CONFIDENTIAL AND EXCLUSIVE PROPERTY OF BELL-O-SEAL VALVES PVT LTD AND MAY NOT BE REPRODUCED, USED, DISCLOSED OR MADE PUBLIC IN ANY MANNER PRIOR TO EXPRESS WRITTEN AUTHORIZATION BY BELL-O-SEAL VALVES PVT LTD. THIS DOCUMENT IS ACCEPTED PURSUANT TO AGREEMENT TO THE FOREGOING, AND MUST BE RETURNED UPON DEMAND.

©1982 COPYRIGHTS RESERVED REPRODUCTION OR DISTRIBUTION OUTSIDE THE GROUP IS FORBIDDEN WITHOUT WRITTEN PERMISSION

DESIGN SUBJECTED TO CHANGE WITHOUT PRIOR NOTICE

TITLE :- GA - CAST BELLOW SEAL (Y-TYPE) GLOBE VALVE - PN40
 DRG No :- BOS-S-20009 Rev.00

OA No. SAO-E1876		SCALE : N.T.S	
DWN BY	NAME	DATE	
CHKD BY	Vijay	28.08.2020	
APPD BY	Sudhakar	28.08.2020	
	Harish p	28.08.2020	
ALL DIMENSIONS ARE IN MM			



1 2 3 4 5 6 7 8 9 10 11 12 13 14